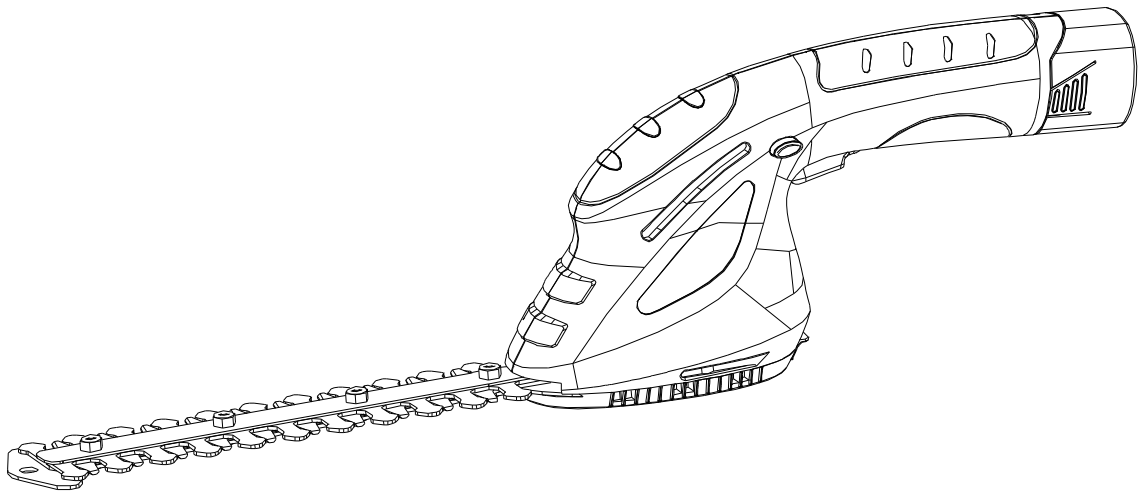
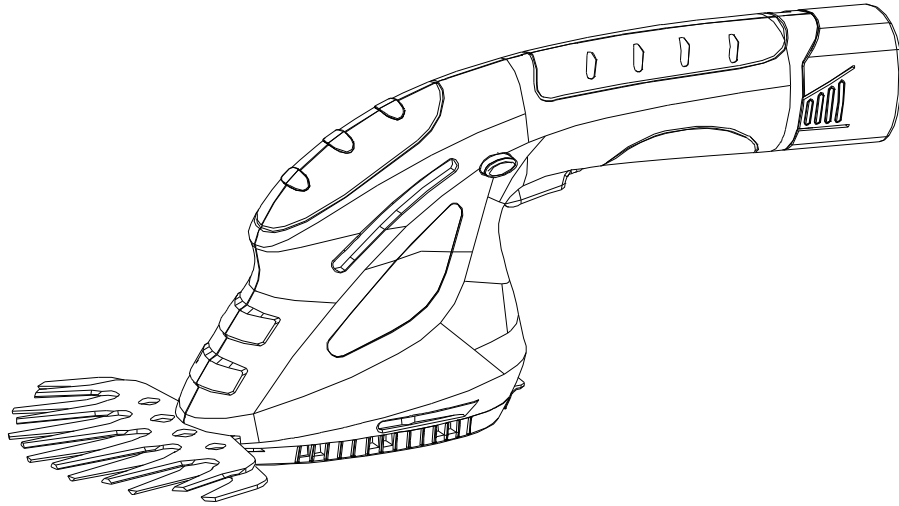


Cordless Grass Shear & Hedge Trimmer

Instruction Manual



WARNING: READ THIS MANUAL BEFORE USING

For your safety and for proper operation and maintenance, please read carefully and keep readily available for future reference.

IMPORTANT TIPS:

- 1, Unit is fully assembled. Remove clear plastic blade guard before use and save it to use as blade-cover when unit is not in use.
- 2, Battery must be charged before use. Please refer to battery charging instructions.
- 3, If the blade becomes jammed on a branch while cutting, IMMEDIATELY release trigger and clear jam. If you continue to hold trigger with blade jammed you will damage the motor.
- 4, IMPORTANT: This is a powerful tool that is remarkably easy and comfortable to use. As such, please pay attention to the placement of the blades while using to avoid cutting yourself.

● TECHNICAL SPECIFICATIONS

Battery voltage	DC 10.8V
Battery type	Lithium-Ion
No load speed	1100rpm
Cutting length	200mm
Cutting width	160mm
Battery capacity	1.3Ah
Charging time	3Hours
Net weight	1Kg (no swivel handle) 1.4Kg (with swivel handle)

● SAFETY INSTRUCTIONS

Please read these instructions before operating this product and save these instructions.

For safe operation:

1. Keep children and animals away from working area.
2. Switch on motor only when the hands and feet are away from the cutting blades.
3. Use only the manufactures recommended replacement parts and accessories.
4. When not in use, tools and batteries should be stored separately in a dry, high or locked up place, out of reach of children. Ensure that battery terminals cannot be short-circuited by other metal parts such as screws, nails, etc.
5. Do not use excessive pressure during operation. It will do the job better and safer at the rate for which it was intended.
6. Dress properly
Do not wear loose clothing or jewelry; they can be caught in moving parts.
Wear stout shoes while using the grass shear. Wear protecting hair covering to contain long hair.
7. Maintain tools with care
Keep cutting tools sharp and clean for better and safer performance. Follow instructions for lubrication and changing accessories.

8. Disconnect tools

Disconnect the tool from its battery pack when not in use, before servicing and when changing accessories such as blades.

9. Avoid unintentional starting

Do not carry the tool with a finger on the switch.

10. Stay alert

Watch what you are doing. Use common sense. Do not operate the tool when you are tired.

11. Warning

The use of any accessory or attachment, other than recommended in this instruction manual, may present a risk of personal injury.

Ensure that the battery pack is correct for the tool.

Ensure that the outside surface of battery pack or tool is clean and dry before plugging into charger.

Ensure that batteries are charged using the correct charger recommended by the manufacturer.

Incorrect use may result in a risk of electric shock, overheating or leakage of corrosive liquid from the battery.

12. Have your tool repaired by a qualified person

This tool is constructed in accordance with the relevant safety requirements. Qualified persons using original spare parts should only carry out repairs; otherwise this may result in considerable danger to the user.

13. Disposal of battery

Ensure battery is disposed of safely as instructed by the manufacturer.

● **IMPORTANT SAFETY INSTRUCTIONS FOR BATTERY CHARGER**

1. Before using charger, read all instructions and cautionary markings on charger, battery pack, and product using battery pack.

2. **DANGER:** 230 volts present at charging terminals. Do not probe with conductive objects. Danger of electric shock or electrocution.

3. The charger and battery are specifically designed to work together. **DO NOT** attempt to charge the battery with any chargers other than the ones in this manual.

4. Do not expose charger to rain or snow.

5. This charger is not intended for any uses other than charging rechargeable batteries. Any other uses may result in risk of fire, electric shock or electrocution.

6. To reduce risk of damage to electric plug and cord, disconnect from mains socket by pulling the plug rather than the cord.

7. Make sure cord is located so that it will not be stepped on, tripped over, or otherwise subjected to damage or stress.

8. The charger is ventilated through slots in the top and the bottom of the housing. Do not place any object on top of charger or on a surface that might block the ventilation slots and result in excessive internal heat. Place the charger in position away from any heat source.

9. Do not operate charger if it has received a sharp blow, been dropped, or otherwise damaged in any way.

10. Do not disassemble charger. Take it to authorized service center when service or repair is required. Incorrect reassemble may result in a risk of electric shock, electrocution or fire.

11. To reduce risk of electric shock, unplug charger from outlet before attempting any cleaning.

Removing the battery pack will not reduce this risk.

12. Never attempt to connect 2 chargers together.
13. DO NOT store or use the tool in locations where the temperature may reach or exceed 105°F (such as outside sheds or metal buildings in summer).
14. The charger is designed to operate on standard household electrical power (230volts). Do not attempt to use it on any other voltage!

● **IMPORTANT SAFETY INSTRUCTIONS FOR BATTERY**

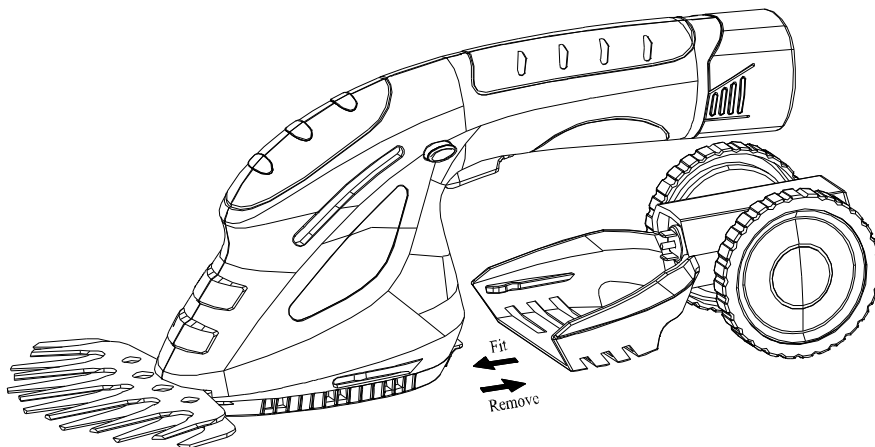
The battery is not fully charged when you first receive it. First read the safety instructions below the follow charging notes and procedures.

READ ALL INSTRUCTIONS CAREFULLY AND KEEP IN A SAFE PLACE FOR FUTURE REFERENCE.

1. Do not incinerate the battery even if it is severely damaged or is completely worn out. The battery can explode in a fire.
2. A small leakage of liquid from the battery cells may occur under extreme usage or temperature conditions. This does not indicate a failure. However, if the outer seal is broken and this leakage gets on your skin:
 - a. Wash quickly with soap and water.
 - b. Neutralize with a mild acid such as lemon juice or vinegar.
 - c. If battery liquid gets in your eyes, flush them with clean water for a minimum of minutes and seek immediate medical attention.(medical notes: the liquid is 25-35% solution of potassium hydroxide.)
3. Do not connect the positive pole and the negative pole of the battery with any metal objects. Battery could be short circuited causing damage to the battery and possibly causing severe burns or fire.
4. Charge the battery only in the chargers supplied with the product.
5. **NOTE: the battery in your tool is the lithium-ion type, with no self-discharge or memory effect.**

● **ASSEMBLY**

1, Fitting/removing the wheels assembly



Fitting the wheels assembly (1):

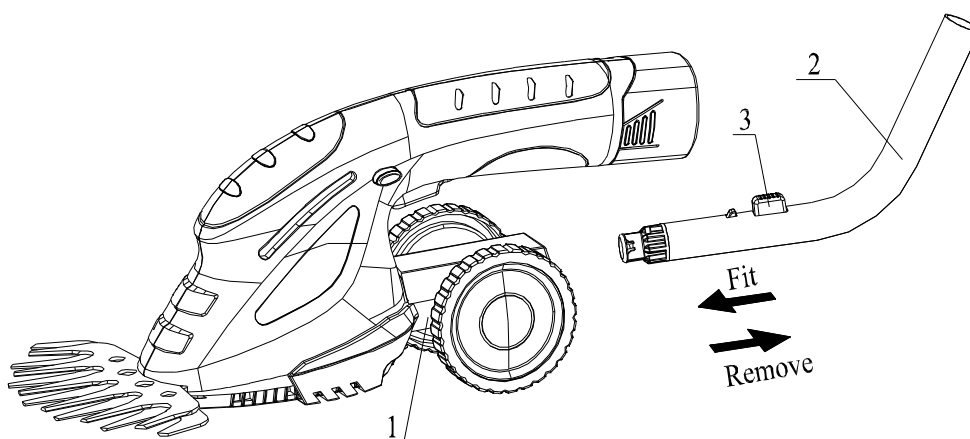
Push the wheels assembly (1) forward into the grass shear align the slot until both catches click into suitable place.

Removing the wheels assembly (1):

Pull the wheels assembly (1) backwards and remove.

WARNING: Do not turn on the switch when you fit or remove the wheels assembly. This can cause a serious injury.

2, Fitting/removing the telescopic swivel handle



Fitting the telescopic swivel handle assembly (2):

Guide the swivel handle assembly (2) at the desired angle between 0° and 360° into the handle holder of the wheels assembly (1) until the lock engages.

The starting lockout and ON button on the tools no longer function when the swivel handle is mounted.

Removing the telescopic swivel handle assembly (2):

Press the release button (3) and pull out the swivel handle assembly (2).

WARNING: Do not turn on the switch when you fit or remove the wheels assembly. This can cause a serious injury.

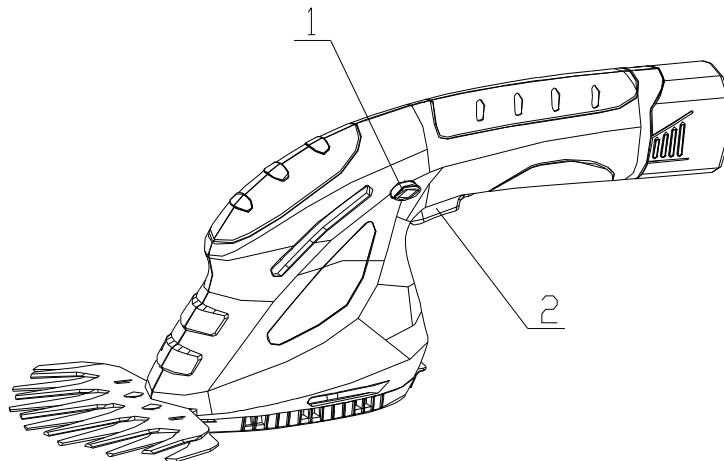
● OPERATING YOUR TOOLS

Warning: Never remove or bridge the switching devices.

The starting lockout prevents your tools from being switched on unintentionally.

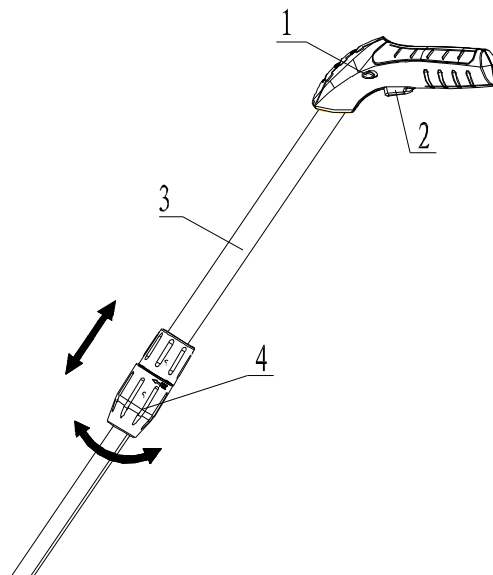
Cutting without swivel handle:

1. Push lock-off button (1) forward and press switch (2).
2. Release the lock-off button (1) again.



Cutting with swivel handle:

The swivel handle is fully height adjustable and can be adapted to suit your height. And the swivel handles can be inserted in **8** positions between 0° and 360° .



Warning: Do not turn on the switch when you adjust the swivel handle. This can cause a serious injury.

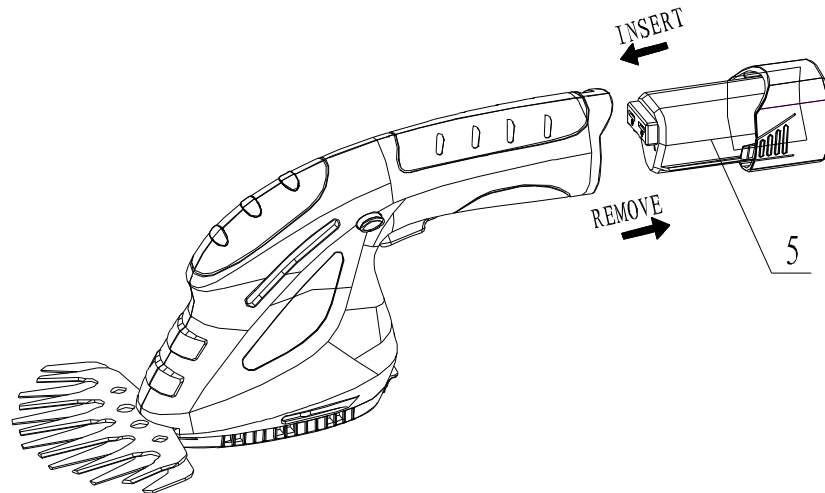
1. Attach the swivel handle.
2. Hold the tube (3) with one hand, and then loosen the adjusting bolt (4).
3. Set the handle to the correct length and tighten the adjusting bolt (4).
4. Push lock-off button (1) forward and press switch (2).

● **Assembly**

For Your Safety

Warning! Remove the battery pack before adjusting or changing the moveable blade or cleaning.

1, Insert/remove the battery pack



- Always release the On/Off switch before insertion or removal of the battery pack.
- To remove the battery pack, withdraw it from the tool while pressing the spring buttons 5 on both sides of the cartridge.
- To insert the battery pack, align the tongue on the battery cartridge with the groove in the housing and slip it into place. Always insert it all the way until it locks in place with a little click. If not, it may accidentally fall out of the tool, causing injury to you or someone around you.

Do not use force when inserting the battery pack. If the cartridge does not slide in easily, it is not being inserted correctly.

Attention: The moving blade will move back if the moving blade is not in the fully open position when inserting the battery pack.

2, Battery charging

- **The charger including the adaptor 6 and the charger station 7.**
- **Do not use other battery chargers.** The supplied battery charger is designed for Lithium-ion battery in your machine.

Observe correct mains voltage: The voltage of the power source must agree with the voltage specified on the nameplate of the unit. Equipment marked with 230 V can also be connected to 220 V or 240 V.

The Li-ion battery is protected against deep discharging by the “Electronic Cell Protection”. When the battery is empty, the machine is switched off by means of a protective circuit: The inserted tool no longer rotates.

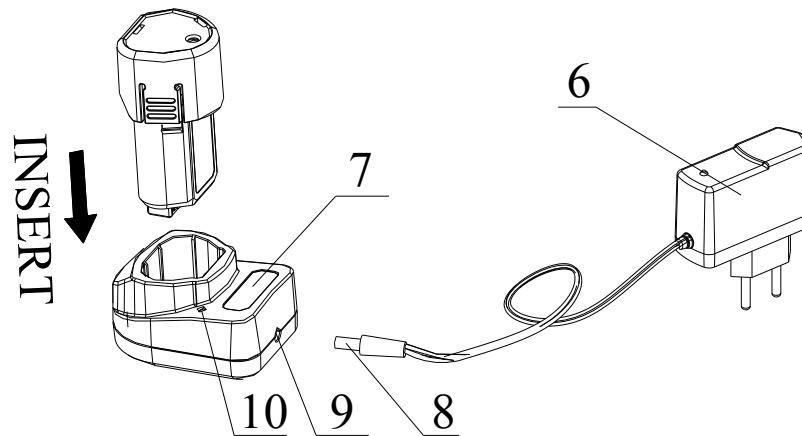
⚠ WARNING: Do not continue to press the On/Off switch after the machine has been automatically switched off. The battery can be damaged.

The battery is supplied partially charged. To ensure full capacity of the battery, completely charge the battery in the battery charger before using your power tool for the first time.

A battery that is new or has not been used for a longer period does not develop its full capacity until after approx. 5 charging/discharging cycles.

When the machine can not rotate while the On/Off switch is pressed, then the battery

has no enough capacity and should be charged.



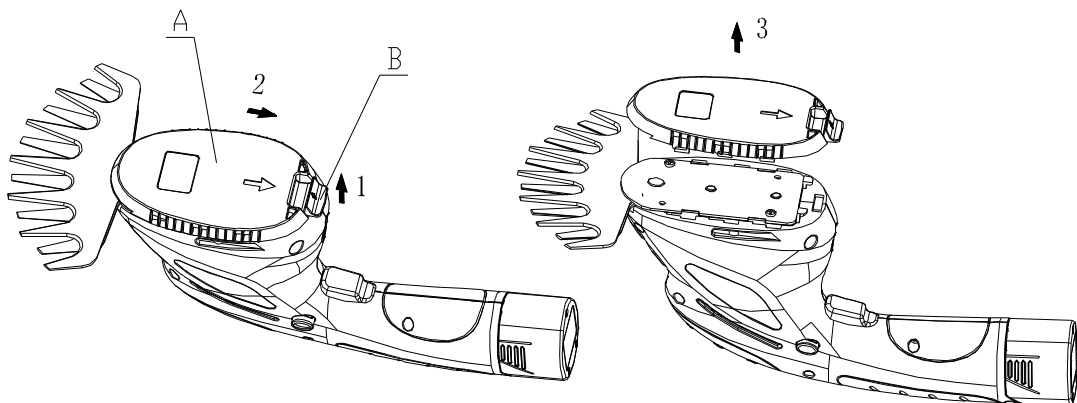
◆ Plug the mains plug of the adaptor 6 into a socket outlet and the adaptor plug 8 into the socket 7 on the charger station 9. At this time, the battery charge-control indicator 10 lights up. And then insert the battery pack into the charger station. The battery charge-control indicator indicates the charging progress. The indicator lights up red during the charge procedure. The battery is completely charged when the indicator lights up green again.
Disconnect the battery charger from the mains supply when not using it for longer periods.

➤ **Protect the battery charger against moisture!**

●CHANGE THE BLADES

Warning!

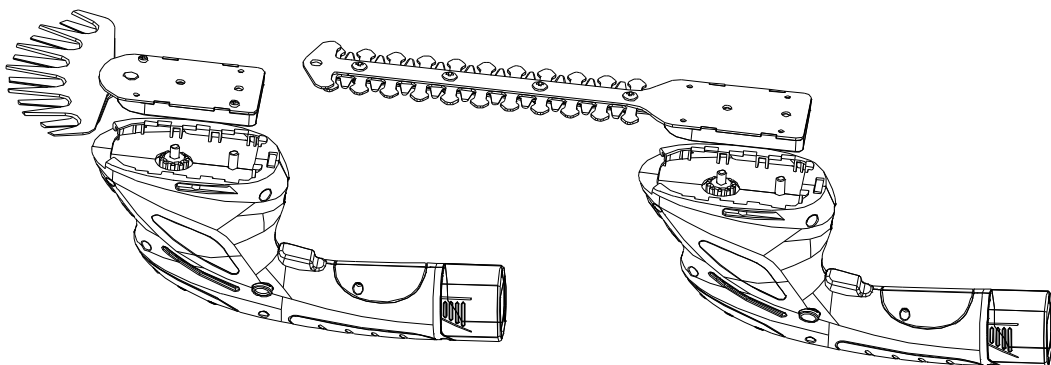
DO NOT operate the switch before dismantling or fitting the blades. Risk of injury!



The blade can be changed rapidly and expediently without any tools.

1, To change the blade, you must remove the Blade cover (A) at first. Follow the steps as shown in the upper figure.

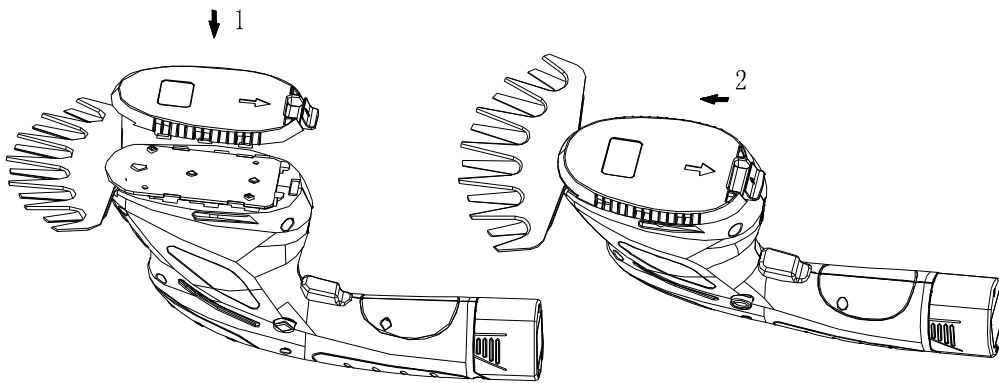
- ① Hold the machine in one hand as showed in the upper figure. Lever the retainer (B) upwards with your thumb and forefinger of another hand.
 - ② Hold the blade cover firmly and pull it backwards.
 - ③ Remove the blade cover upwards.
- 2, Take off the blades and install another blades.



Warning!

DO NOT operate the switch before the blade cover is installed. Risk of injury!

- 3, Install the blade cover following the steps as shown in the nether figure.
 - ① Insert the blade cover align the two lines marked in the upper figure.
 - ② Push the blade cover forwards until the retainer fit in a suitable position.



● MAINTENANCE AND REPAIR

Do not rinse the machine with water.

The cutter should be stored in a dry place when it is not in use.

Before every use of this cutter, check whether the blade is in good order and it must be repaired in time if damage has been found.

The blade should be cleaned and lubricated in time after every use of the cutter. When the cutter is to be used for a long time the blades should be lubricated during operations interval.